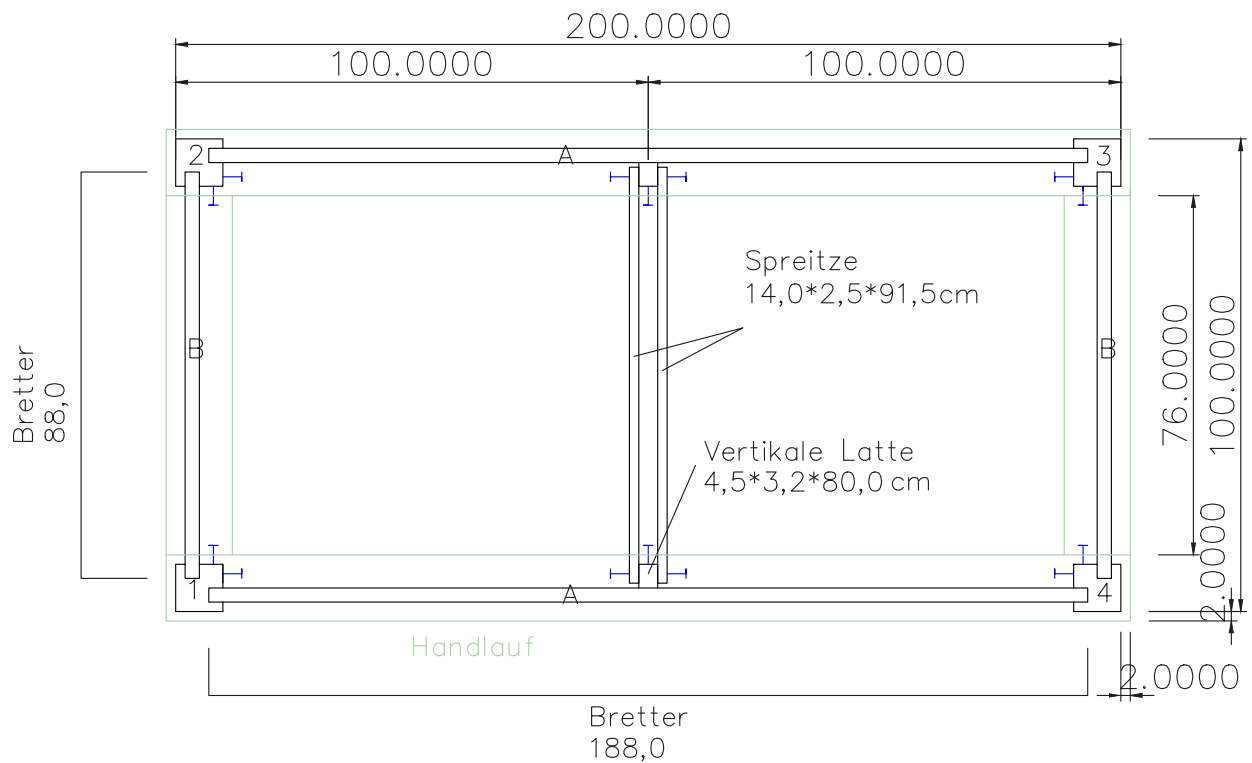
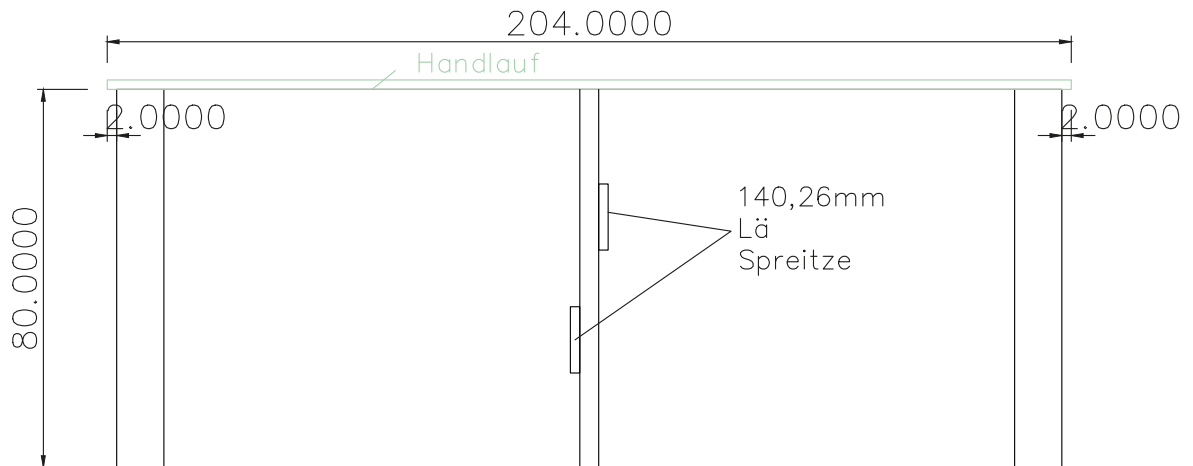


PLAN Hochbeet „Eden 200 cm“



Wand A
8 Stk 20,0*3,2*188,0cm

Wand B
8 Stk 20,0*3,2*88,0 cm

Eckkanter
4 Stk 9,0*9,0*80,0cm

Vertikale Latten
2 Stk 4,5*3,2*80,0cm

2 Stk 14,0*2,5*204,0 cm

2 Stk 14,0*2,5*76,0 cm

Spreitze
2 Stk 14,0*2,5*91,5cm

Plane
1 Stk 100*600 cm

Gitter
1 Stk 100*210 cm

Schrauben
85 Stk 5*70mm